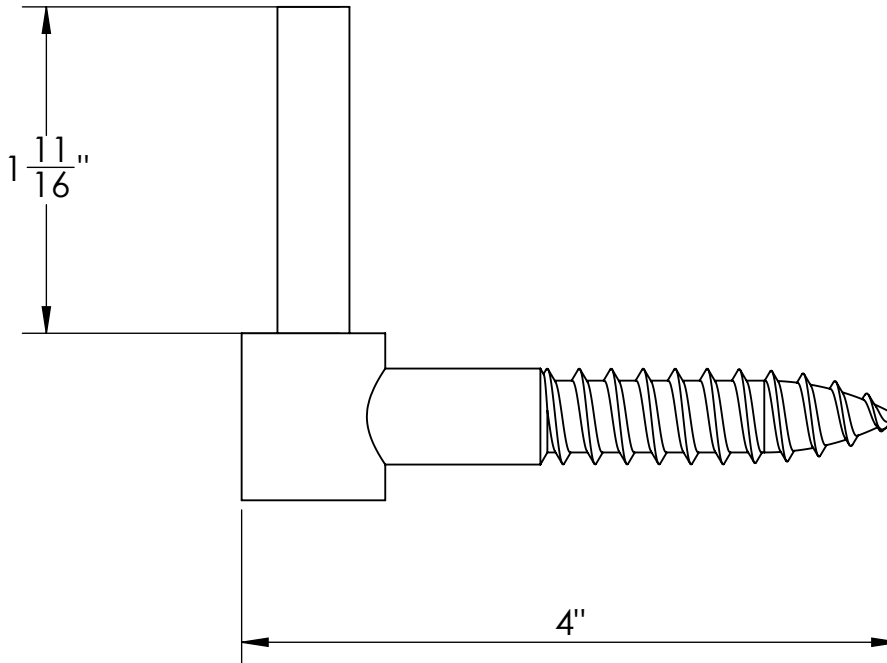
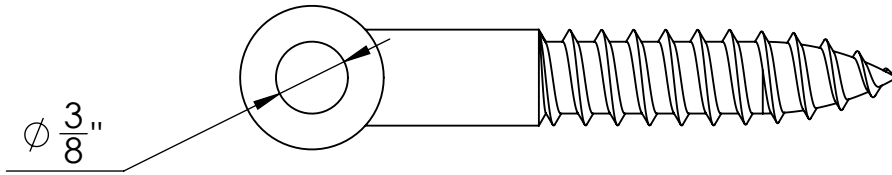


4" Lag Pintel



Approval Signature		<p>PROPRIETARY AND CONFIDENTIAL</p> <p>THE INFORMATION CONTAINED IN THIS DRAWING IS THE SOLE PROPERTY OF Southern Shutter Company. ANY REPRODUCTION IN PART OR AS A WHOLE WITHOUT THE WRITTEN PERMISSION OF Southern Shutter Company IS PROHIBITED.</p> <p>DO NOT SCALE DRAWING</p>	Quote/Order Number:	
Purchase Order No#:			004-LP	
Date:			SIZE A	DWG. NO.
			SCALE: 1:16	SHEET 1 OF 1